

## Features

- Lifting Height of up to 9.00 m
- Maximum capacity of 4000 kg
- Clear View cab provides all round vision
- Audio-visual Load Moment indicator
- Mechanical Quick-switch for Efficient attachment changes
- Four-wheel steering - Front wheel, Co-ordinated and crab.
- Powershift transmission
- Four wheel drive
- 45% gradeability.
- Frame levelling

## Performance

### Maximum Lift Capacity

4,000 kg

### Capacity at full height

4,000 kg

### Maximum Forward Reach

5.20 m

### Capacity at Maximum Forward Reach

1,200 kg

### Lifting Height

9.00 m

### Reach at Maximum Height

0.50 m

### Break-out force with standard bucket

70kN

### Towing Capacity

5,000 kg

### Carriage Rotation

142°

## Standard Specifications

### Engine

Perkins Diesel Engine 1104.44 Turbo Water cooled at 2200rpm (74.5 kW)

140L Fuel Tank

7.9L Engine Oil

19.7L Coolant

### Hydraulic System

Load Sensing Piston Type 132 L/min

160L Reservoir

### Transmission

Powershift, 3 forward & 3 reverse gears (optional 4 forward & 3 reverse gears)

### Drive

4x4x4

### Steering

4WS/Front Steer/Crab Steer

### Parking Brakes

Wet multi disc

## Accessories & Options

- Air-conditioning
- Work lights on Boom
- Front & Rear Cab work lights
- Rotating Beacon
- Radio

## Attachments

### Pallet Forks and Carriages

1.22 m

### General Purpose Bucket

Max Capacity 2.0 m<sup>3</sup>

### Digging Bucket

Max Capacity 1.0 m<sup>3</sup>

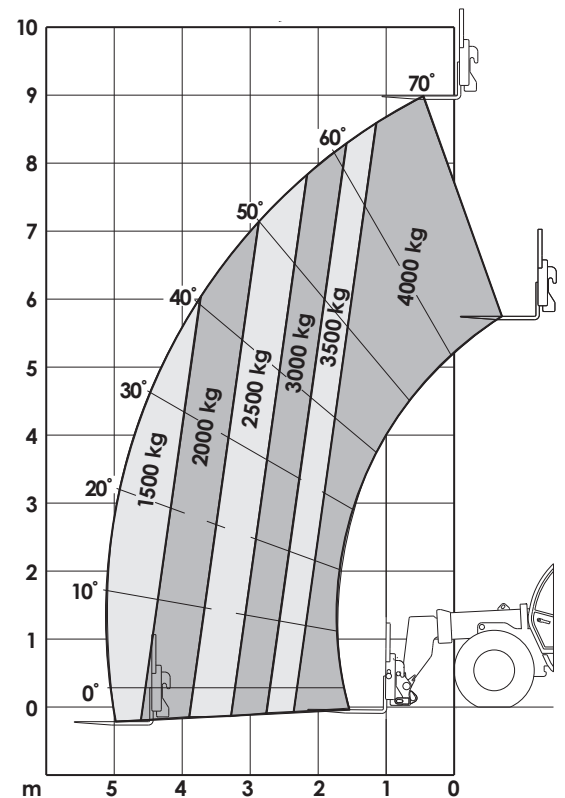
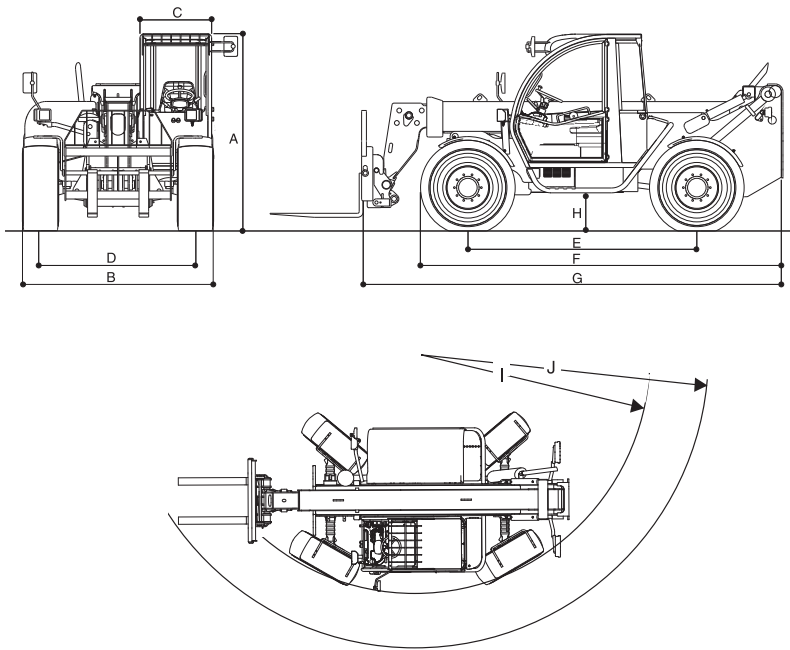
### Truss Boom

Capacity 1,000 kg



## Dimensions

A. Overall Height .....	2.45 m
B. Overall Width .....	2.38 m
C. Width of Cab .....	0.89 m
D. Track width .....	1.92 m
E. Wheelbase .....	2.85 m
F. Length at front wheels .....	4.60 m
G. Length at fork-holder plate .....	5.62 m
H. Ground Clearance .....	0.42 m
I. Turning radius over tyres .....	3.80 m
J. Turning radius at fork .....	5.02 m
Gross Vehicle Weight .....	9,200 kg



Frame levelling device activated.  
Complies with EN1459 - Annex B

JLG is continually researching and developing products and reserves the right to make modifications without prior notice. All data in this document is indicative. Certain options or country standards will increase weight. Specifications may change to meet country standards or with the addition of optional equipment.

**JLG Industries Inc.**  
Polaris Avenue 63  
2132 JH Hoofddorp  
The Netherlands  
Tel: +31 (0)23 565 5665  
Fax: +31 (0)23 557 2493  
e-mail address: europe@jlg.com  
[www.jlg.com](http://www.jlg.com)

Printed in UK  
FORM No.: TMH-0407-1000  
PART NO.: TMH0065-ENGLISH

